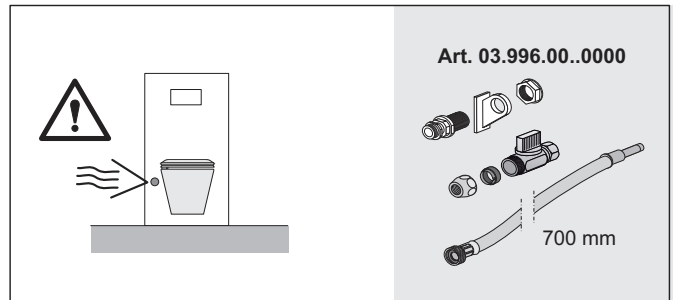
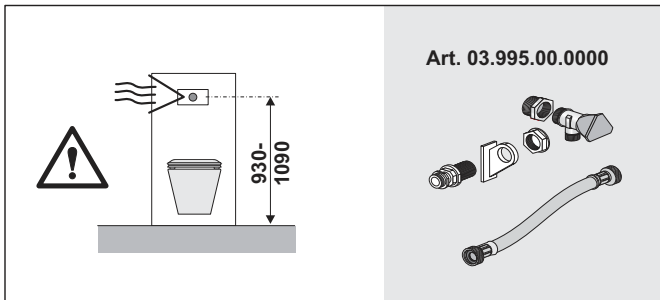
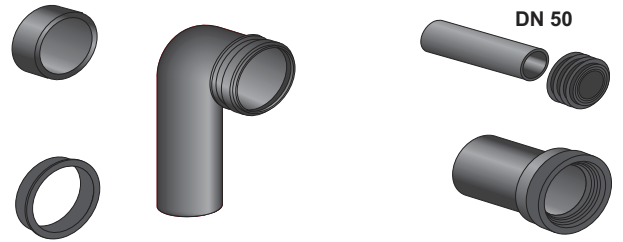
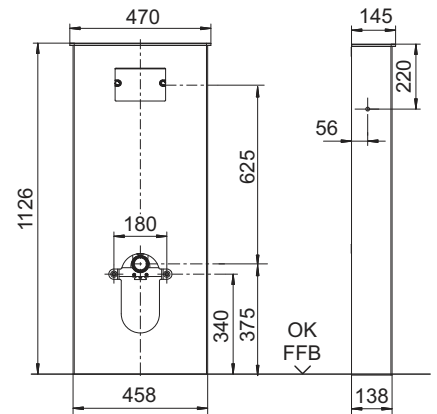
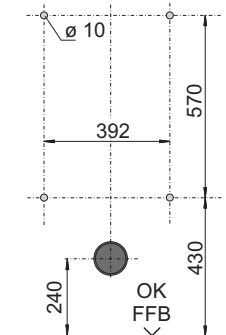
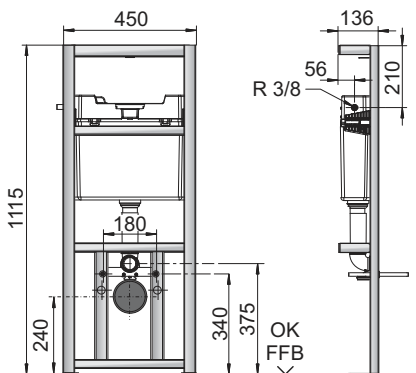
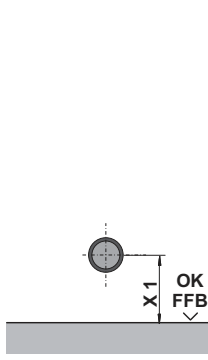
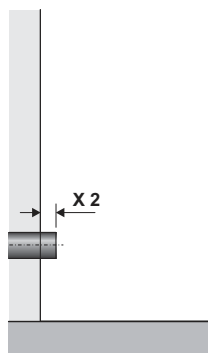
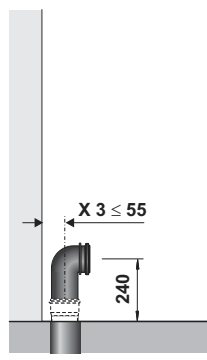
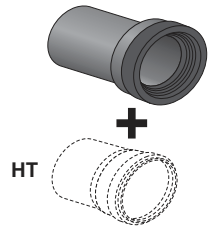
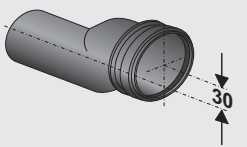
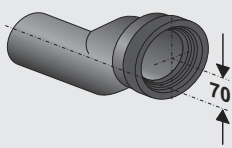
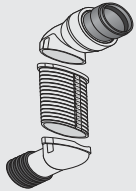



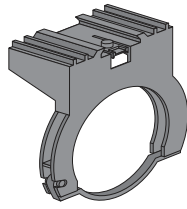
DN 90/DN 100

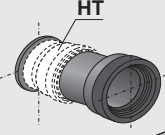
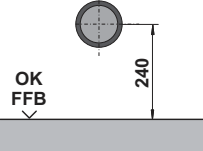

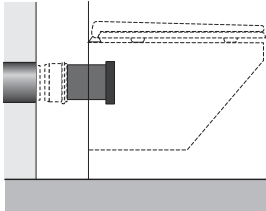
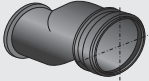
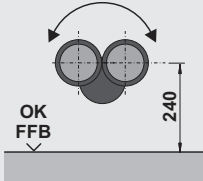

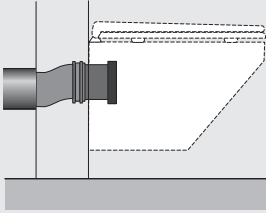
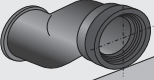
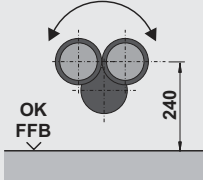

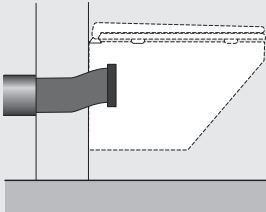
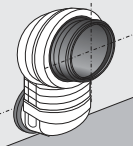
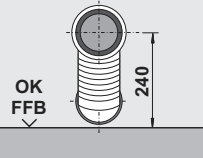

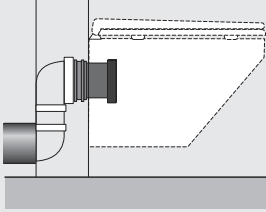


[mm]



			
	X 1	X 2	X 3
A	<p>240</p> 	<p>≤ 130</p>	
B	<p>230 220 210</p> 	<p>Art. 58.121.00..0000</p> <p>≤ 20</p>	
C	<p>200 190 180 170</p> 	<p>Art. 58.940.00..0000</p> <p>≤ 20</p>	
D	<p>160 ↑ 55</p> 	<p>Art. 58.119.00..0000</p> <p>≤ 5</p>	
E			



<b>A</b> 			
<b>B</b> Art. 58.121.00..0000 			
<b>C</b> Art. 58.940.00..0000 			
<b>D</b> Art. 58.119.00..0000 			
<b>E</b> 